



# MASTERColour CDM-R

MASTERColour CDM-R 70W/830 E27 PAR30L 10D 1CT

Range of compact, high-efficiency, discharge reflector lamps with a stable colour over lifetime and a crisp, sparkling light

## Product data

### • General Characteristics

Cap-Base	ES [ES]
Bulb	PAR30L [PAR 3.75 inch/95mm Long]
Bulb Finish	Clear
Burning Position	any [Any/Universal]
Life to 50% failures EM	12000 hr
Life to 50% failures EL	12000 hr
Life to 5% failures EL	5500 hr
Life to 5% failures EM	5500 hr
Life to 20% failures EL	8000 hr
Life to 20% failures EM	8000 hr

### • Light Technical Characteristics

Beam Description	Spot
Beam Angle	10 D
Technical Beam Angle	6.8 (min), 9.0 (nom), 11.3 (max) D
Luminous Intensity	68000 cd
Colour Code	830 [CCT of 3000K]
Colour Rendering Index	81 Ra8
Colour Designation	Warm white
Colour Temperature	3000 K
Colour Temperature Technical	3115 K
Chromaticity Coordinate X	0.427 -
Chromaticity Coordinate Y	0.397 -
Lamp Luminous Flux EM	4600 Lum

### • Electrical Characteristics

System Power EM	88 W
System Power EL	83 W
Lamp Wattage	70 W
Lamp Wattage EM	73 W
Lamp Voltage	90 V
Lamp Current EM	0.97 A
Ignition Time	30 (max) s
Run-up time 90%	3 (max) min
Re-ignition Time [min]	15 (max) min
Dimmable	no

### • Environmental Characteristics

Mercury (Hg) Content	8.3 mg
----------------------	--------

### • Luminaire Design Requirements

Cap-Base Temperature	200 (max) C
Bulb Temperature	300 (max) C

### • Product Dimensions

Overall Length C	120 (nom), 123 (max) mm
Diameter D	95 (nom), 97 (max) mm

### • Product Data

Order code	197054 10
Full product code	871150019705410
Full product name	MASTERColour CDM-R 70W/830 E27 PAR30L 10D 1CT

# PHILIPS

sense and simplicity

# MASTERColour CDM-R

Order product name    MASTERC CDM-R 70W/830 E27  
 PAR30L 10D 1CT  
 Pieces per pack        1  
 Packing configuration    6  
 Packs per outerbox    6  
 Bar code on pack -  
 EAN1                    8711500197054

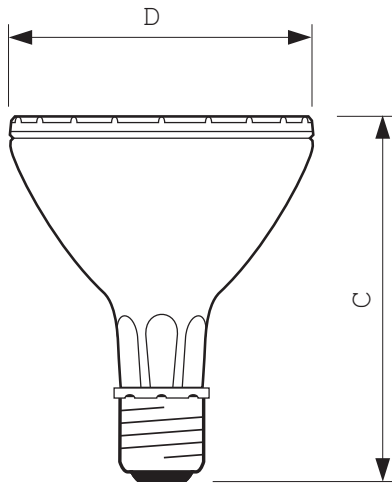
Bar code on              8711500197061  
 outerbox - EAN3  
 Logistic code(s) -      928071100630  
 12NC  
 ILCOS code              MRS/UB-70/30/1B-H-E27  
 Net weight per piece    0.225 kg

## Warnings and Safety

- Control gear must include end-of-life protection (IEC61167, IEC 62035)

- Use only with electronic control gear. Colour 830 lamps may also use electromagnetic gear.

## Dimensional drawing

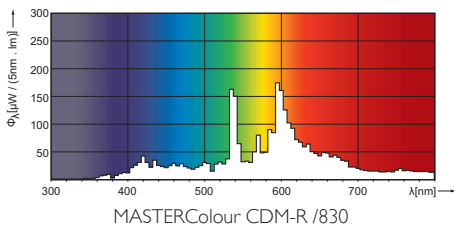


E27

## CDM-R, PAR30L

Product	C (Nom)	C (Max)	D (Nom)	D (Max)
CDM-R 70W/830 E27 PAR30L 10D	120	123	95	97

## Photometric data





© 2012 Koninklijke Philips Electronics N.V.  
All rights reserved.

Specifications are subject to change without notice. Trademarks are the property of Koninklijke Philips Electronics N.V. or their respective owners.

[www.philips.com/lighting](http://www.philips.com/lighting)

2012, October 6  
data subject to change